

# Sponsorship & Advertising Order Form

# WINE & WEED

## SYMPOSIUM

Thursday, August 3, 2017

SPONSORSHIP LEVELS		RATES	
<p>Raise your company profile, increase your visibility, and maintain maximum exposure with top-level sponsorships and advertising placements available at the Wine &amp; Weed Symposium.</p> <p>Don't miss your chance to reach hundreds of wine and cannabis industry professionals beyond the limits of your table-top exhibit space!</p> <p><b>LEARN MORE BY VISITING</b> <a href="http://wine-weed.com/sponsorships.php">wine-weed.com/sponsorships.php</a></p>	<a href="#">Platinum Sponsor</a>	\$7,500	<b>SOLD</b>
	<a href="#">Networking Social Sponsor</a>	\$7,500	_____
	<a href="#">Gold Sponsor</a>	\$5,000	_____
	<a href="#">Lunch Sponsor</a>	\$5,000	_____
	<a href="#">Tote Bag Sponsor</a>	<del>\$5,000</del>	<b>SOLD</b>
	<a href="#">Lanyard Sponsor</a>	<del>\$4,000</del>	<b>SOLD</b>
	<a href="#">VIP Symposium &amp; Lunch Table</a>	\$3,000	_____
	<a href="#">Coffee Station Sponsor</a>	<del>\$2,000</del>	<b>SOLD</b>
	<a href="#">WiFi Sponsor</a>	\$2,000	_____
	<a href="#">Supporting Sponsor</a>	\$2,000	_____
	<a href="#">Promotional Insert in Tote Bag</a>	\$500	_____
ADVERTISING - PROGRAM GUIDE		RATES	
<p><b>RESERVATIONS &amp; ARTWORK DUE BY: 6/30/2017</b></p>	<a href="#">Outside Back Cover</a>	<del>\$2,000</del>	<b>SOLD</b>
	<a href="#">Inside Front Cover</a>	\$1,800	_____
	<a href="#">Inside Back Cover</a>	\$1,800	_____
	<a href="#">Full Page</a>	\$1,000	_____
	<a href="#">1/2 Page</a>	\$600	_____
	<a href="#">1/3 Page</a>	\$500	_____
	<a href="#">1/4 Page</a>	\$400	_____
<b>Total:</b>		_____	

Questions? Call Samantha Stephey  
707-433-2557 x107  
Samantha@wineindustrynetwork.com

Fax This Form To: 707-433-2551

Email your form and artwork to:  
info@wine-weed.com

**Artwork Specifications:**  
4-Color Vector .eps / .pdf / .ai / 300 dpi if .jpg

Company Name: \_\_\_\_\_

Name: \_\_\_\_\_

Phone: \_\_\_\_\_ Email: \_\_\_\_\_

Name on Card: \_\_\_\_\_ Signature: \_\_\_\_\_

Credit Card # \_\_\_\_\_ Expiration: \_\_\_\_\_

Billing Address: \_\_\_\_\_ City: \_\_\_\_\_

State/Province: \_\_\_\_\_ Zip: \_\_\_\_\_

**MAKE CHECKS PAYABLE TO:**

Wine Industry Network, 155 Foss Creek Circle, Healdsburg, CA 95448

# Program Guide Advertising Specs.

# WINE & WEED

## SYMPOSIUM

Thursday, August 3, 2017



Back Cover / Inside Covers  
& Full Page with Bleed



Full Page no Bleed  
7" x 10"

## SIZING, BLEED & TRIM

Horizontal 1/2 Page  
7" x 5"



Horizontal 1/3 Page  
7" x 3 1/3"

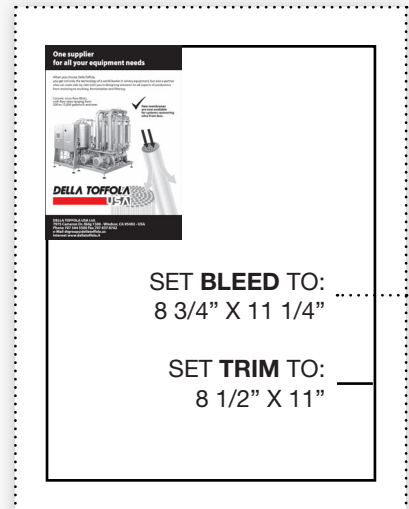


Vertical 1/2 Page  
3 1/2" x 9 3/4"



Vertical 1/3 Page  
2 1/8" x 9 3/4"

1/4 Page  
3 1/2" x 5"



Back Cover, Inside Covers  
Full Page with bleed