

# Central Coast Sponsorship & Advertising Order Form



SYMPOSIUM  
Thursday, May 10, 2018

SPONSORSHIP LEVELS		RATES	
<p>Raise your company profile, increase your visibility, and maintain maximum exposure with top-level sponsorships and advertising placements available at the Central Coast Wine &amp; Weed Symposium.</p> <p>Don't miss your chance to reach hundreds of wine and cannabis industry professionals beyond the limits of your table-top exhibit space!</p> <p><b>LEARN MORE BY VISITING</b> <a href="http://wine-weed.com/cc/sponsorships.php">wine-weed.com/cc/sponsorships.php</a></p>	<b>Platinum Sponsor</b>	\$7,500	_____
	<b>Gold Sponsor</b>	\$5,000	_____
	<b>Tote Bag Sponsor</b>	\$5,000	_____
	<b>Lanyard Sponsor</b>	\$4,000	_____
	<b>VIP Symposium &amp; Lunch Table</b>	\$3,000	_____
	<b>Networking Social Sponsor</b>	\$3,000	_____
	<b>Lunch Sponsor</b>	\$2,500	_____
	<b>Coffee Station Sponsor</b>	\$2,000	_____
	<b>WiFi Sponsor</b>	\$2,000	_____
	<b>Supporting Sponsor</b>	\$2,000	_____
	<b>Promotional Insert in Tote Bag</b>	\$500	_____
ADVERTISING - PROGRAM GUIDE		RATES	
<p><b>RESERVATIONS &amp; ARTWORK</b> <b>DUE BY: 3/23/2018</b></p>	<b>Outside Back Cover</b>	\$2,000	_____
	<b>Inside Front Cover</b>	\$1,800	_____
	<b>Inside Back Cover</b>	\$1,800	_____
	<b>Full Page</b>	\$1,000	_____
	<b>1/2 Page</b>	\$600	_____
	<b>1/3 Page</b>	\$500	_____
	<b>1/4 Page</b>	\$400	_____
<b>Total:</b>		_____	

Questions? Call Samantha Stephey  
707-433-2557 x107  
Samantha@wineindustrynetwork.com

Fax This Form To: 707-433-2551

Email your form and artwork to:  
info@wine-weed.com

**Artwork Specifications:**  
4-Color Vector .eps / .pdf / .ai / 300 dpi if .jpg

Company Name: \_\_\_\_\_

Name: \_\_\_\_\_

Phone: \_\_\_\_\_ Email: \_\_\_\_\_

Name on Card: \_\_\_\_\_ Signature: \_\_\_\_\_

Credit Card # \_\_\_\_\_ Expiration: \_\_\_\_\_

Billing Address: \_\_\_\_\_ City: \_\_\_\_\_

State/Province: \_\_\_\_\_ Zip: \_\_\_\_\_

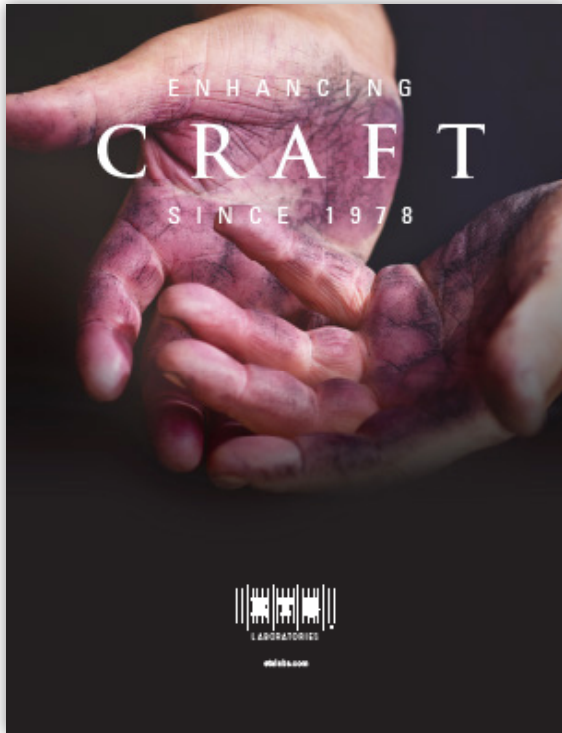
**MAKE CHECKS PAYABLE TO:**

Wine Industry Network, 155 Foss Creek Circle, Healdsburg, CA 95448

# Central Coast Program Guide Advertising Specs.

2018 CENTRAL COAST  
**WINE & WEED**

SYMPOSIUM  
*Thursday, May 10, 2018*



Back Cover / Inside Covers  
& Full Page with Bleed



Full Page no Bleed  
7" x 10"

## SIZING, BLEED & TRIM

Horizontal 1/2 Page  
7" x 5"



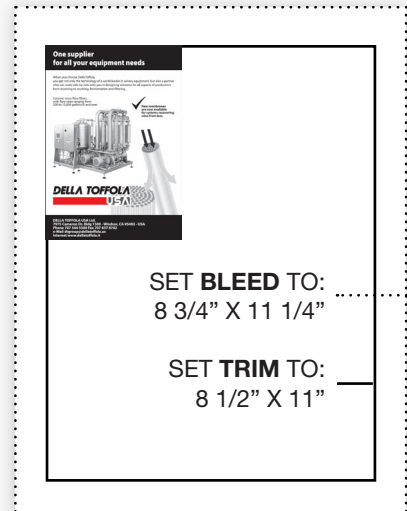
Horizontal 1/3 Page  
7" x 3 1/3"

Vertical 1/2 Page  
3 1/2" x 9 3/4"



Vertical 1/3 Page  
2 1/8" x 9 3/4"

1/4 Page  
3 1/2" x 5"



Back Cover, Inside Covers  
Full Page with bleed